

Product Directory



Table of Contents

4	SurEdge Trimboard	13	Window & Door Trim
6	Conceal Trim System	16	Mouldings
8	Column Wrap	27	Reference
10	Garage Door ThermoStop®		
12	Nickel Gap/Shiplap, Beadboard & Wainscoting		



Royal Trim Board & Packaging Options

All SurEdge, S4S & Sheet products come with standard protective shroud. Tough Pack and Protective Film are custom packing options. Please check with customer service for additional details.

Description	Bulk Unit/Shroud	Tough Pack (Shrink Wrap)	Protective Film	Corrugated
S4S	●	●		
SurEdge	●	●	●	
Conceal	●	●		●
Sheet	●		●	

SurEdge Trimboard

SurEdge 5/8" Smooth & Smooth/Woodgrain Reversible

Profile	Nominal Description	Actual Size	Length
			18'
9759	5/8 x 4	5/8" x 3 1/2"	●
9760	5/8 x 6	5/8" x 5 1/2"	●
9761	5/8 x 8	5/8" x 7 1/4"	●
9762	5/8 x 10	5/8" x 9 1/4"	●
9763	5/8 x 12	5/8" x 11 1/4"	●
9764	5/8 x 16	5/8" x 15 1/4"	●

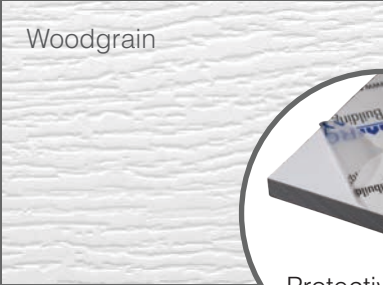
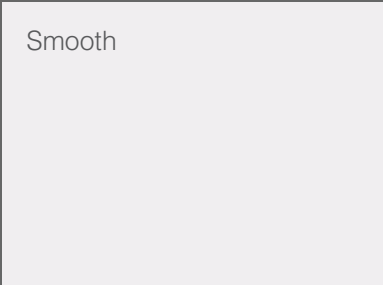
SurEdge 4/4" Smooth & Smooth/Woodgrain Reversible

Profile	Nominal Description	Actual Size	Length
			12' 18'
9766	1 x 3	3/4" x 2 1/2"	●
9767	1 x 4	3/4" x 3 1/2"	●
9768	1 x 5	3/4" x 4 1/2"	● ●
9769	1 x 6	3/4" x 5 1/2"	● ●
9770	1 x 8	3/4" x 7 1/4"	● ●
9771	1 x 10	3/4" x 9 1/4"	● ●
9772	1 x 12	3/4" x 11 1/4"	● ●
9773	1 x 16	3/4" x 15 1/4"	●

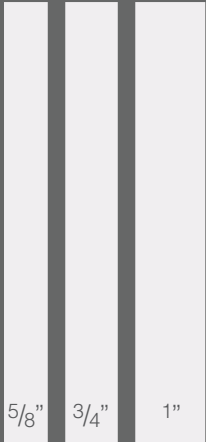
SurEdge 5/4" Smooth & Smooth/Woodgrain Reversible

Profile	Nominal Description	Actual Size	Length		
			12'	18'	20'
9775	5/4 x 4	1" x 3 1/2"	●	●	●
9776	5/4 x 5	1" x 4 1/2"		●	●
9777	5/4 x 6	1" x 5 1/2"	●	●	●
9778	5/4 x 8	1" x 7 1/4"	●	●	●
9779	5/4 x 10	1" x 9 1/4"	●	●	●
9780	5/4 x 12	1" x 11 1/4"	●	●	●

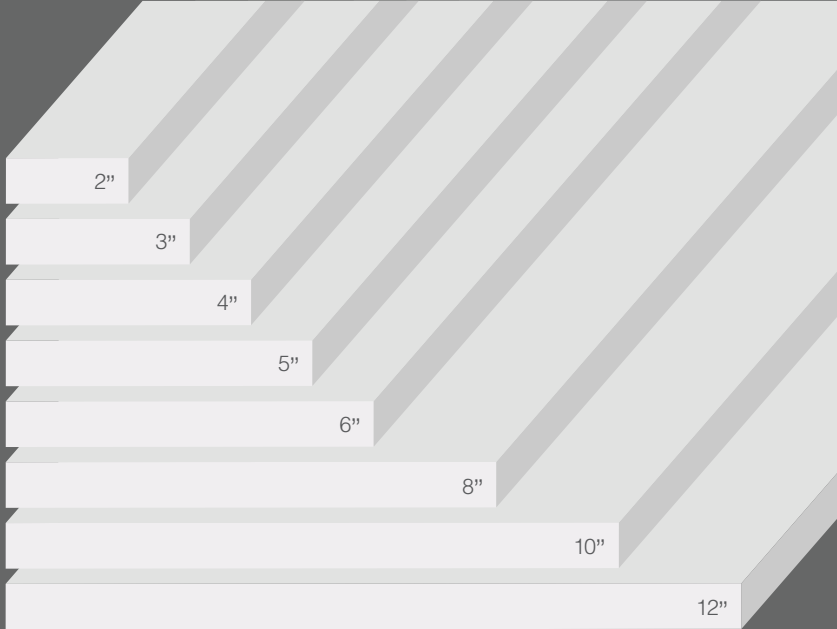
SurEdge Trimboard is available in two finishes:



Reversible



Multiple Thicknesses



Multiple Widths

Conceal Trim System

Conceal Outside Corners - Smooth or Woodgrain

Profile	Description	Actual Size	1" Pocket	Length 20'
7971	5/4 x 4 Traditional	3 11/16" x 3 11/16"		●
7973	5/4 x 6 Traditional	5 11/16" x 5 11/16"		●
7972	5/4 x 4 Rabbeted	3 11/16" x 3 11/16"	●	●
7970	5/4 x 6 Rabbeted	5 11/16" x 5 11/16"	●	●

Conceal J-Channel Trim & Window Surrounds - Smooth or Woodgrain

Profile	Description	Actual Size	1" Pocket	Length 18'
9706	5/4 x 4 Rabbeted	1" x 3 1/2"	●	●
7994	5/4 x 6 Rabbeted	1" x 5 1/2"	●	●
9707	5/4 x 8 Rabbeted	1" x 7 1/4"	●	●
9794	5/4 x 4 New Construction Surround	1" x 3 1/2"	●	●
9795	5/4 x 6 New Construction Surround	1" x 5 1/2"	●	●
9800	5/4 x 4 New Construction Surround	1" x 3 1/2"		●

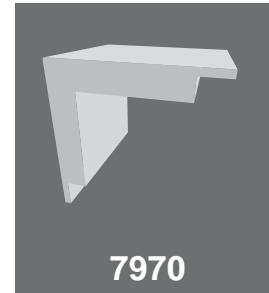
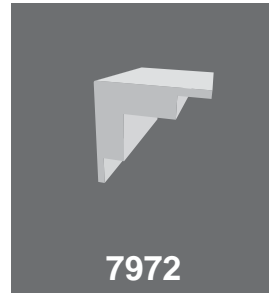
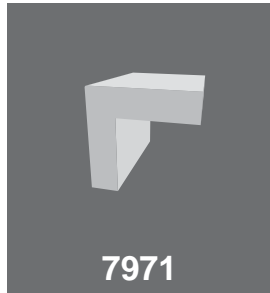
Conceal Skirt Boards - Smooth or Woodgrain

Profile	Description	Actual Size	Length 18'
7993	5/4 X 6 Skirt Board	1" x 5 1/2"	●
9701	5/4 X 8 Skirt Board	1" x 7 1/4"	●

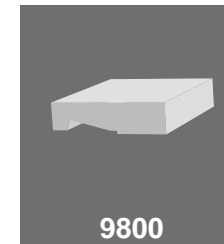
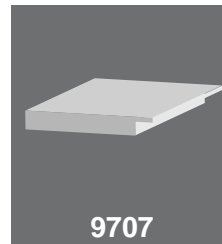
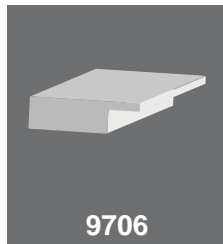
Conceal Water Tables - Smooth

Profile	Description	Actual Size	Length 16'
9796	Standard Water Table	1 5/8" x 2 9/16" - 14° Slope, Smooth Only	●
9719	Stone Water Table	3 1/8" x 3 3/4" - 14° Slope, Smooth Only	●

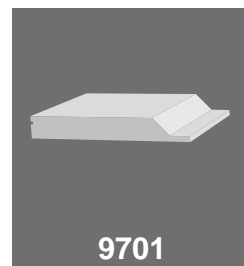
Conceal Outside Corners



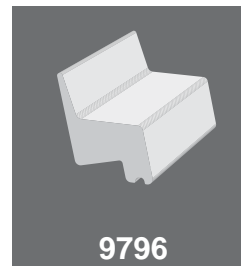
Conceal Trim



Conceal Skirt Boards



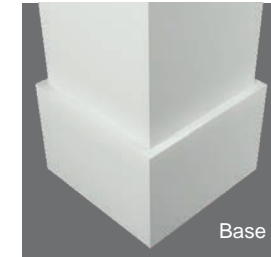
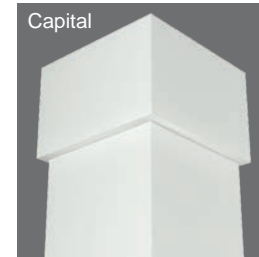
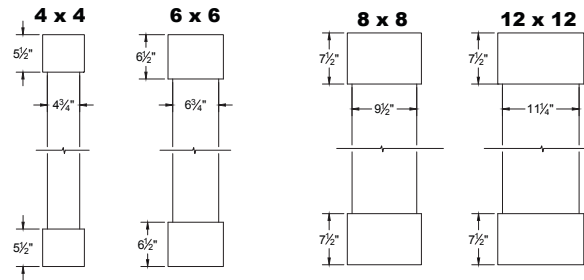
Conceal Water Tables



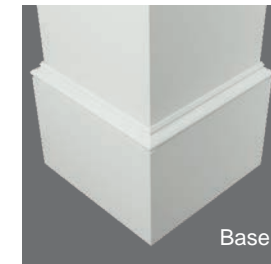
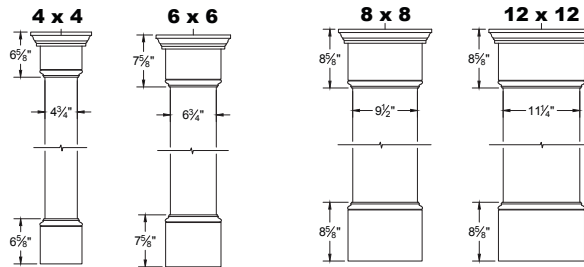
Column Wraps

Profile	Description	Inside Dimension	Outside Dimension	Length/Height	
				8' 6"	10'
9807	4 X 4 Column Wrap	3 3/4" x 3 3/4"	4 3/4" x 4 3/4"	●	●
9811	6 X 6 Column Wrap	5 3/4" x 5 3/4"	6 3/4" x 6 3/4"	●	●
9815	8 X 8 Column Wrap	8 1/2" x 8 1/2"	9 1/2" x 9 1/2"	●	●
9829	12 X 12 Column Wrap	10 1/4" x 10 1/4"	11 1/4" x 11 1/4"	●	●
9854	4 X 4 Contractor Cap/Base Set	4 7/8"	6 1/8"		5 1/2"
9850	4 X 4 Traditional Cap/Base Set	4 7/8"	6 1/8"		6 5/8"
9858	4 X 4 Craftsman Cap/Base Set	4 7/8"	6 1/8"		5 3/4"
9855	6 X 6 Contractor Cap/Base Set	5 7/8"	8 1/8"		6 1/2"
9851	6 X 6 Traditional Cap/Base Set	5 7/8"	8 1/8"		7 5/8"
9859	6 X 6 Craftsman Cap/Base Set	5 7/8"	8 1/8"		6 3/4"
9856	8 X 8 Contractor Cap/Base Set	8 1/2"	9 1/2"		7 1/2"
9852	8 X 8 Traditional Cap/Base Set	8 1/2"	9 1/2"		8 5/8"
9860	8 X 8 Craftsman Cap/Base Set	8 1/2"	9 1/2"		7 3/4"
9857	12 X 12 Contractor Cap/Base Set	10 1/4"	11 1/4"		7 1/2"
9853	12 X 12 Traditional Cap/Base Set	10 1/4"	11 1/4"		8 5/8"
9861	12 X 12 Craftsman Cap/Base Set	10 1/4"	11 1/4"		7 3/4"

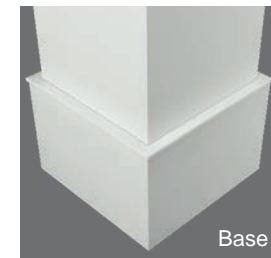
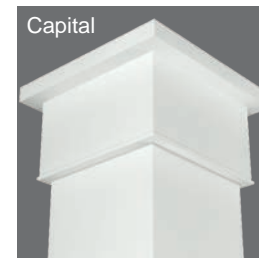
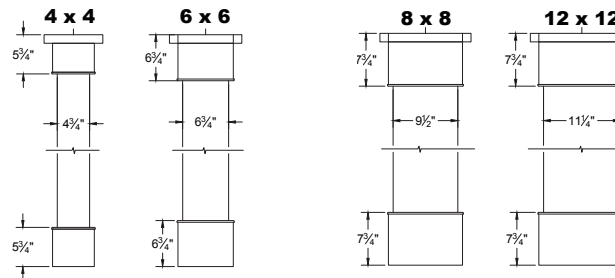
Contractor Series



Traditional Series



Craftsman Series



Garage Door Trim

Uniflex™ Garage Door ThermoStop® & Mouldings

Profile	Description	Dimensions	Length								
			7'	8'	9'	10'	12'	14'	16'	17'	18'
2149	2" Standard Uniflex	7/16" x 2"	●	●	●	●	●	●	●		●
3029	2 5/8" Retro Fit Uniflex	7/16" x 2 5/8"							●	●	●
2591	3 1/4" Architectural Uniflex	7/16" x 3 1/4"							●	●	●
2448*	2" Brickmould RM 180	1 1/4" x 2"	●	●	●	●		●	●	●	●
2497*	5 7/8" Flat Jamb	1 1/16" x 5 7/8"	●			●			●		
2709*	5 7/8" Flat Utility Trim	5/16" x 5 7/8"		●						●	
9841*	7 1/2" Garage Door Trim	3/8" x 7 1/2"			●					●	

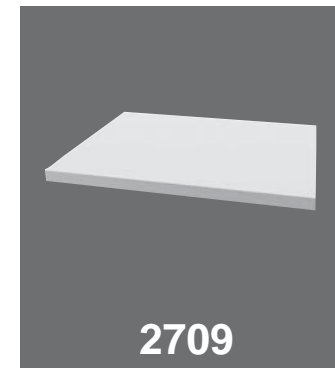
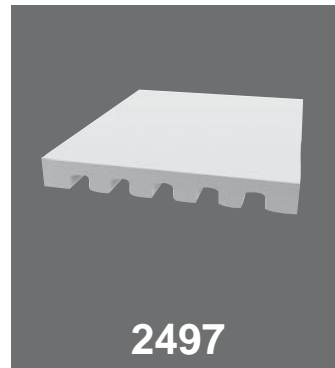
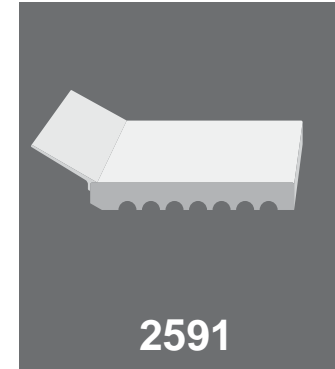
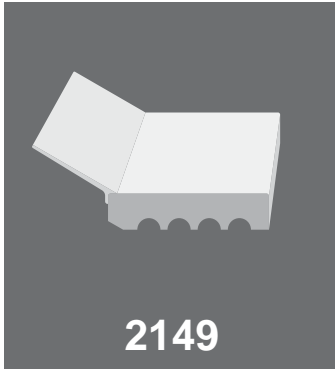
Garage Door ThermoStop® Top Colors

We frequently update our ThermoStop® palette to match the latest color trends. Here is a sampling of our most popular colors.



*Contact Customer Service for Color Availability

Uniflex™ Garage Door ThermoStop® & Mouldings



Nickel Gap Shiplap, Beadboard & Wainscoting

Nickel Gap/Shiplap, Beadboard & Wainscoting

Profile	Description	Dimensions	Length			
			8'	12'	16'	18'
2352	5 1/2" Bead Board – One Sided Only	3/8" x 5 1/2"	●	●	●	
9734	6" Bead Board – Reversible	1/2" x 5 3/4"	●		●	●
9735	6" Bead Board Hi Heat – Reversible	1/2" x 5 3/4"				●

Nickel Gap/Shiplap, Beadboard & Wainscoting

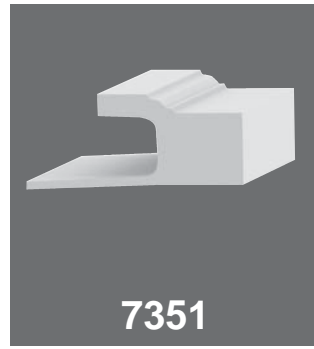


Window & Door Trim

Brickmould & J Channel

Profile	Description	Dimensions	Length							
			8'	10'	12'	14'	16'	17'	17'6"	18'
2448	RM 180 Brick Mould	1 1/4" x 2"	●	●		●		●	●	●
7351	RM 180 J Channel Brick Mould	1 1/4" x 2"; 7/8" Pocket	●	●	●			●		●
7526	RM 180 Flat Back Brick Mould	1 1/4" x 2"	●	●				●		
7252	Florida Brick Mould	3/4" x 1 5/8"	●	●						
7216	Williamsburg Brick Mould	1 1/4" x 3 1/4"				●				
7467	5/4 x 4 J-Channel Casing	1 1/8" x 3 1/2"						●		●

Brickmould & J Channel

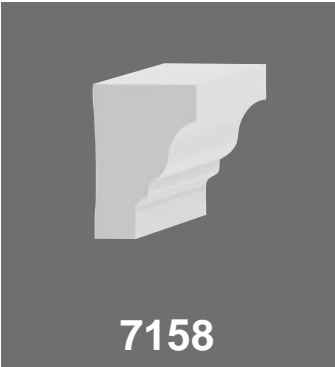


Window & Door Trim

Crown Moulding

Profile	Description	Dimensions	Projection	Spring Angle	Length		
					8'	12'	16'
2853	3" Crown - RM 53	9/16" x 2 3/4"	1.539	38°			●
2435	4" Crown - RM49	9/16" x 3 5/8"	2.062	38°	●	●	●
7541	4 1/2" Crown - RM 48	11/16" x 4 1/4"	2.5	52°			●
2592	5" Crown - RM 47	11/16" x 4 5/8"	2.784	38°	●		●
7491	6" Crown - RM 45	9/16" x 5 1/4"	3.187	52°			●
7662	8" Crown	1" x 8"	5.625	45°			●
7158	Rams Crown	1 3/8" x 2 1/16"	1 3/8"	—	●	●	●
7960	One Piece Crown	2 3/4" x 3 1/2"	2.75	45°		●	
7712	Deco Crown	1 1/2" x 1 7/8"	1.5	45°			●

Crown Moulding



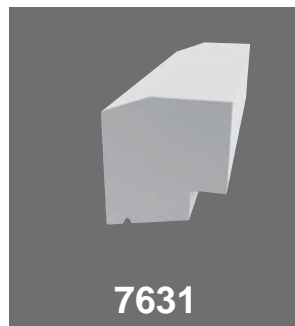
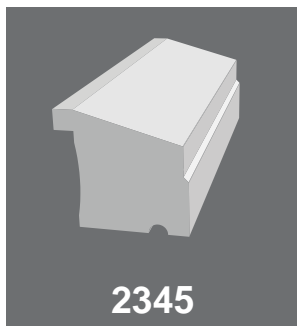
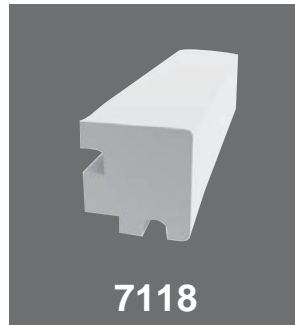
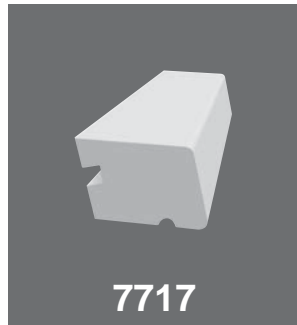
Mouldings

Door Jambs, Sill & Sill Noses, Transom & Jamb Extensions

Profile	Description	Dimensions	Length				
			7'	12'	14'	16'	18'
7117	Sill	1 1/4" x 4 9/16" - 14°	●		●		
7717	Sill Nose	1 3/16" x 2" - 14°					●
7640	Sill Nose	2 1/4" x 2 3/4" - 14°					●
2345	Sill Nose	1 1/2" x 1 5/8" - 16°					●
7118	Sill Nose	1 3/8" x 1 5/16" - 14°	●				●
7435	Sill Nose	1 3/4" x 2 3/8" - 14°		●			●
7631	Sill Nose	1 3/4" x 2" - 14°					●

Ask about our custom cut-to-length, mitering and fabrication.

Door Jambs, Sill & Sill Noses, Transom & Jamb Extensions

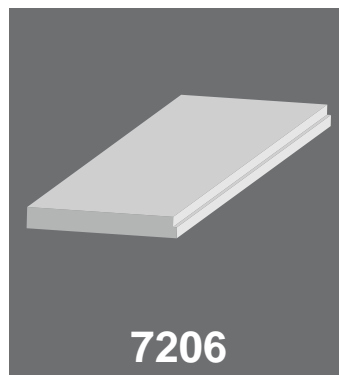
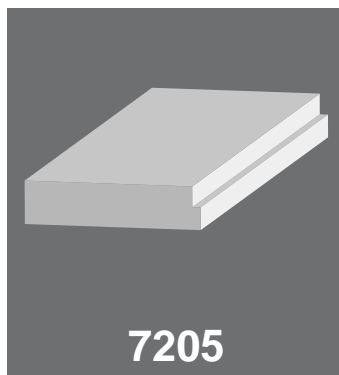
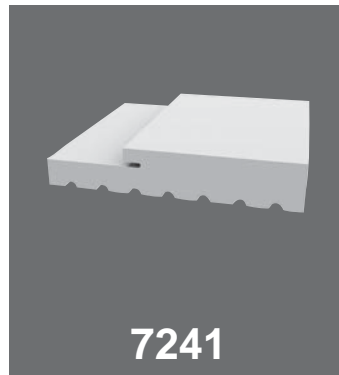
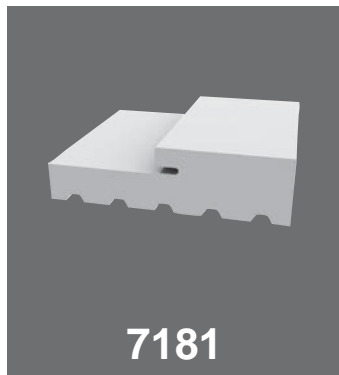


Door Jambs, Sill & Sill Noses, Transom & Jamb Extensions

Profile	Description	Dimensions	Length			
			7'	12'	16'	17'
7181	4 9/16" Entry Door Jamb	1 1/4" x 4 9/16"	●			●
7241	6 9/16" Entry Door Jamb	1 1/4" x 6 9/16"				●
7464	Transom Sash	1 3/8" x 2 1/2"			●	
7205	Jamb Extender	1 1/16" x 2 9/16"		●		
7206	Jamb Extender	1 1/16" x 4 9/16"		●		

Ask about our custom cut-to-length, mitering and fabrication.

Door Jambs, Sill & Sill Noses, Transom & Jamb Extensions

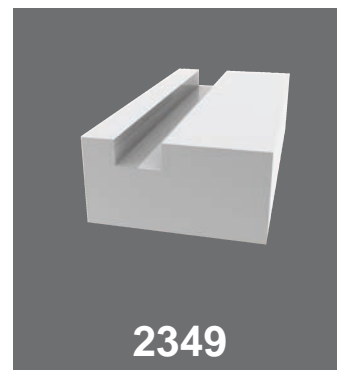
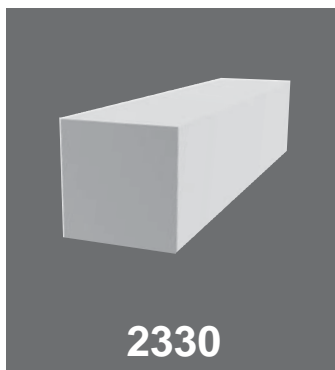
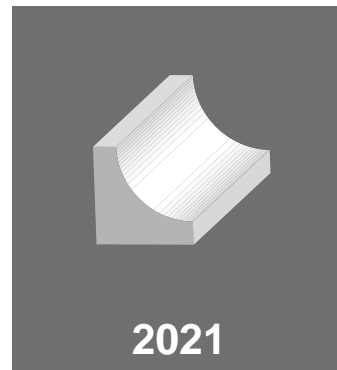
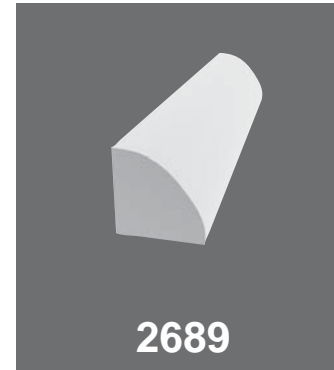


Mouldings

Quarter Rounds, Cove & Stops

Profile	Description	Dimensions	Length				
			8'	10'	12'	14'	16'
2024	Quarter Round RM 108	1/2" x 1/2"	●		●		
5111	Quarter Round RM 107	5/8" x 5/8"	●		●		
2689	Quarter Round RM 105	3/4" x 3/4"	●		●		●
2258	Bead Mould	3/8" x 1/2"	●				
2021	Scotia Cove RM 93	3/4" x 3/4"	●	●	●		●
2046	Shoe Mould	5/16" x 3/4"	●		●		●
2330	Stop	5/8" x 5/8"	●				
2349	Stop	9/16" x 1 1/4"					●

Quarter Rounds, Cove & Stops

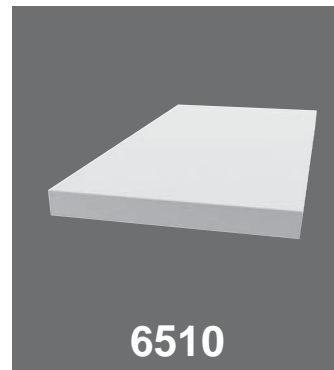
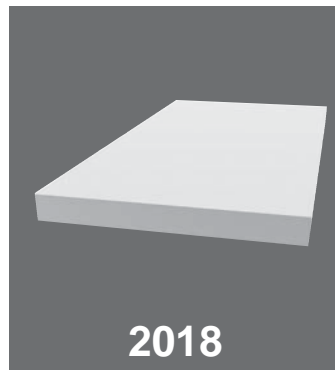
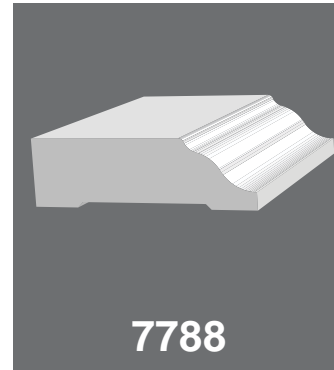


Mouldings

Decorative Trim

Profile	Description	Dimensions	Length			
			7'	8'	12'	16'
2850	Parting Bead	1/4" x 7/8"			●	
2851	Parting Bead	1/4" x 1 1/8"			●	
7788	Colonial Stop RM 947	3/8" x 1 1/4"	●	●	●	
7719	Outside Corner RM 205	1 1/8" x 1 1/8"		●	●	●
5165	Outside Corner 1565	7/8" x 7/8"		●		
6577	Outside Corner RM 206	11/16" x 11/16"		●		
2450	Base Cap RM 164	11/16" x 1 1/8"		●	●	●
2759	Deco Trim	1/2" x 1"				●
2363	Screen Trim	3/4" x 1"			●	
2018	Lattice	1/4" x 1 9/16"		●	●	●
6510	Lattice	1/4" x 1 3/4"	●			

Decorative Trim



Mouldings

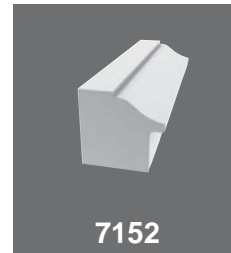
Drip Caps, Back Bands & Panel Mould

Profile	Description	Dimensions	Length		
			8'	12'	16'
2598	Bed Mould RM 75	9/16" x 1 9/16"	●	●	●
2449	1 5/8" Drip Cap RM 197	1 1/16" x 1 5/8"	●	●	●
2791	2" Drip Cap RM 187	1 1/16" x 2"			●
7152	Back Band 3/4" Relief RM 412	1 3/8" x 1 7/16"	●		●
7901	Shingle Band Mould RM 217	1 1/16" x 1 3/4"	●		●
7202	Rake Mould RM 287	1" x 2"	●	●	●
2599	Shingle Mould RM 210	1 1/16" x 1 5/8"	●	●	●
7714	Pediment	2" x 2 7/8"	●		●

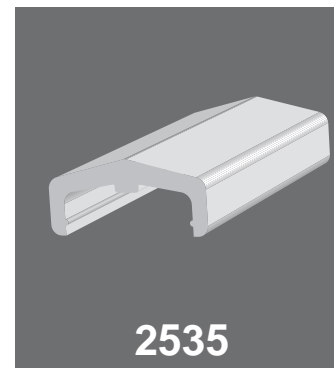
Rail & Balusters

Profile	Description	Dimensions	Length			
			8'	10'	12'	16'
2536	Baluster	1 1/4" x 1 1/4"		●		●
2542	Baluster	1 1/2" x 1 1/2"	●		●	
2535	Top Rail	1 1/2" x 3 5/16"	●	●	●	
2537	Bottom Rail	1 3/4" x 3 9/16"	●	●	●	

Drip Caps, Back Bands & Panel Mould



Rail & Balusters

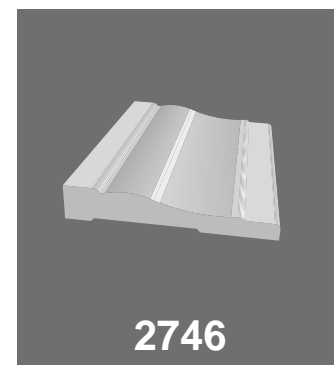
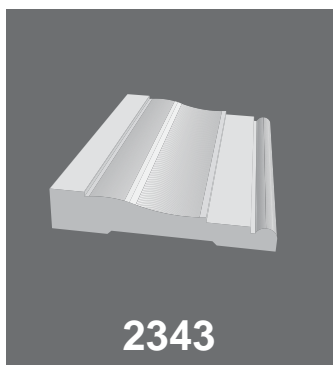
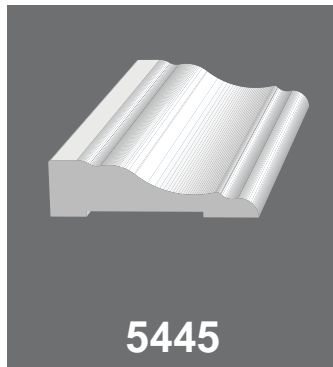
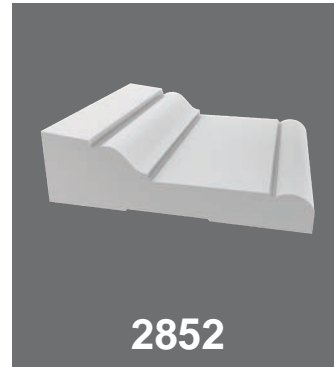
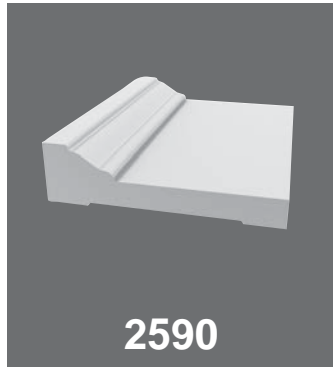


Mouldings

Casing

Profile	Description	Dimensions	Length				
			7'	8'	12'	16'	17'
2590	Back Band Casing 4 1/2"	1 3/16" x 4 1/2"		●	●	●	●
2852	New Adams Casing 3 1/2"	1" x 3 1/2"				●	
7216	Williamsburg Casing 3 1/4"	1 1/4" x 3 1/4"			●		
2369	RB3 Casing 3 1/2" RM 523	1" x 3 1/2"		●		●	
5445	Colonial Casing 2 1/4" LRM 356	5/8" x 2 1/4"	●				
2342	Casing 2 1/4" RM 376	1 1/16" x 2 1/4"				●	
2355	Colonial Casing 2 1/4" RM 356	1 1/16" x 2 1/4"		●	●	●	
5913	Ranch Casing 2 1/4" RM 328	9/16" x 2 1/4"	●				
2343	Colonial Casing 3 1/4" RM 445	5/8" x 3 1/4"				●	
2746	Bendable Casing 3 1/2" RM 444	5/8" x 3 1/2"					●

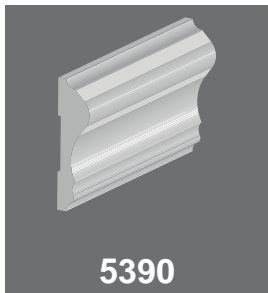
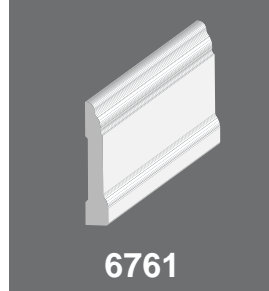
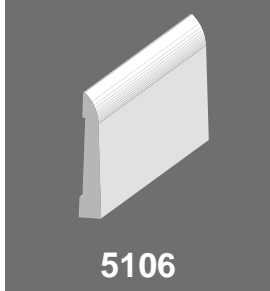
Casing



Mouldings

Base & Chair Rail

Profile	Description	Dimensions	Length		
			8'	12'	16'
5106	Ranch Base 2 1/2"	7/16" x 2 1/2"	●		
6761	Base/Casing Combo 2 3/4"	1/2" x 2 3/4"	●		
5523	Colonial Base 3 1/4" LRM 623	7/16" x 3 1/4"	●		
7527	Base RM 623 3 1/4" RM 623	7/16" x 3 1/4"	●	●	●
7861	Heirloom Base 5"	7/16" x 5"	●		
6610	Royal Base 5"	1 1/16" x 5"			●
5390	Chair Rail 2 5/8" RM 390	1 1/16" x 2 5/8"	●		



Profile	Page #	Profile	Page #	Profile	Page #	Profile	Page #	Profile	Page #	Profile	Page #	Profile	Page #	Profile	Page #
2018.....	32	2591.....	20	2869.....	15	3018.....	13	7263.....	36	7836.....	4	9734.....	17	9794.....	8
2021.....	30	2592.....	24	2870.....	15	3029.....	20	7351.....	22	7837.....	4	9735.....	17	9795.....	8
2024.....	30	2598.....	34	2871.....	16	3068.....	12	7360.....	22	7838.....	4	9747.....	15	9796.....	10
2046.....	30	2599.....	34	2873.....	13	3078.....	13	7371.....	22	7840.....	5	9748.....	15	9799.....	15
2141.....	30	2622.....	22	2874.....	13	5106.....	38	7417.....	28	7841.....	5	9749.....	15	9800.....	8
2149.....	20	2689.....	30	2875.....	13	5111.....	30	7435.....	26	7842.....	5	9750.....	15	9801.....	8
2150.....	4	2709.....	20	2876.....	13	5165.....	32	7464.....	28	7843.....	5	9751.....	15	9807.....	18
2258.....	30	2716.....	36	2877.....	13	5390.....	38	7467.....	22	7844.....	5	9752.....	16	9811.....	18
2329.....	30	2746.....	36	2878.....	16	5445.....	36	7491.....	24	7861.....	38	9759.....	6	9815.....	18
2330.....	30	2759.....	32	2880.....	12	5523.....	38	7526.....	22	7871.....	4	9760.....	6	9816.....	8
2331.....	36	2764.....	17	2881.....	12	5913.....	36	7527.....	38	7874.....	5	9761.....	6	9817.....	8
2342.....	36	2791.....	34	2882.....	12	6510.....	32	7541.....	24	7875.....	5	9762.....	6	9818.....	8
2343.....	36	2803.....	30	2884.....	12	6577.....	32	7623.....	28	7884.....	36	9763.....	6	9824.....	24
2345.....	26	2825.....	14	2885.....	12	6610.....	38	7631.....	26	7901.....	34	9764.....	6	9829.....	18
2349.....	30	2826.....	14	2898.....	14	6761.....	38	7640.....	26	7937.....	34	9766.....	6	9830.....	17
2352.....	17	2827.....	14	2899.....	14	7117.....	26	7651.....	22	7939.....	36	9767.....	6	9831.....	10
2355.....	36	2828.....	14	2901.....	15	7118.....	26	7662.....	24	7960.....	24	9768.....	6	9832.....	10
2357.....	30	2829.....	14	2904.....	13	7152.....	34	7709.....	34	7970.....	8	9769.....	6	9833.....	10
2363.....	32	2830.....	14	2906.....	13	7155.....	28	7710.....	34	7971.....	8	9770.....	6	9834.....	17
2369.....	36	2832.....	13	2912.....	14	7158.....	24	7712.....	24	7972.....	8	9771.....	6	9835.....	10
2388.....	26	2833.....	13	2913.....	15	7159.....	28	7714.....	34	7973.....	8	9772.....	6	9841.....	20
2424.....	28	2834.....	13	2915.....	26	7160.....	28	7717.....	26	7993.....	10	9773.....	6	9850.....	18
2430.....	28	2835.....	13	2919.....	13	7181.....	28	7719.....	32	7994.....	8	9774.....	7	9851.....	18
2435.....	24	2836.....	13	2920.....	12	7193.....	28	7788.....	32	9700.....	10	9775.....	7	9852.....	18
2440.....	36	2837.....	16	2936.....	13	7202.....	34	7806.....	26	9701.....	10	9776.....	7	9853.....	18
2448.....	20,22	2838.....	16	2951.....	14	7205.....	28	7827.....	4	9702.....	10	9777.....	7	9854.....	18
2449.....	34	2850.....	32	2965.....	15	7206.....	28	7828.....	4	9703.....	10	9778.....	7	9855.....	18
2450.....	32	2851.....	32	2975.....	12	7213.....	26	7829.....	4	9704.....	10	9779.....	7	9856.....	18
2497.....	20	2852.....	36	2979.....	12	7216.....	22	7830.....	4	9705.....	10	9780.....	7	9857.....	18
2535.....	34	2853.....	24	2990.....	12	7216.....	36	7831.....	4	9706.....	8	9781.....	7	9858.....	18
2536.....	34	2864.....	16	2991.....	36	7241.....	28	7832.....	4	9707.....	8	9784.....	6	9859.....	18
2537.....	34	2866.....	15	3003.....	15	7251.....	28	7833.....	4	9718.....	8	9785.....	32	9860.....	18
2542.....	34	2867.....	15	3004.....	14	7252.....	22	7834.....	4	9719.....	10	9788.....	6	9861.....	18
2590.....	36	2868.....	15	3009.....	12	7255.....	36	7835.....	4	9724.....	34	9789.....	38		

WM® Series	RM Series	Royal Profile	Description	Dimensions	Page #	WM® Series	RM Series	Royal Profile	Description	Dimensions	Page #
WM45	RM45	7491	6" Crown	9/16" x 5 1/4"	24	WM205	RM205	7719	Outside Corner	1 1/8" x 1 1/8"	32
WM47	RM47	2592	5" Crown	1 1/16" x 4 5/8"	24	WM206	RM206	6577	Outside Corner	1 1/16" x 1 1/16"	32
WM49	RM49	2435	4" Crown	9/16" x 3 5/8"	24	WM210	RM210	2599	Shingle Mould	1 1/16" x 1 5/8"	34
MW48	RM48	7541	4 1/2" Crown	1 1/16" x 4 1/4"	24	WM217	RM217	7901	Shingle Band Mould	1 1/16" x 1 3/4"	34
WM53	RM53	2853	3" Crown	9/16" x 2 5/8"	24	WM287	RM287	7202	Rake Mould	1" x 2"	34
WM75	RM75	2598	Bed Mould	9/16" x 1 7/8"	34	WM328	RM328	5913	Ranch Casing	9/16" x 2 1/4"	36
WM93	RM93	2021	Scotia Cove	3/4" x 3/4"	30	LWM356	LRM356	5445	Colonial Casing	5/8" x 2 1/4"	36
WM105	RM105	2689	Quarter Round	3/4" x 3/4"	30	WM356	RM356	2355	Colonial Casing	1 1/16" x 2 1/4"	36
WM107	RM107	5111	Quarter Round	5/8" x 5/8"	30	WM376	RM376	2342	Casing	1 1/16" x 2 1/4"	36
WM108	RM108	2024	Quarter Round	1/2" x 1/2"	30	WM390	RM390	5390	Chair Rail	1 1/16" x 2 5/8"	38
WM142	RM142	7152	Back Band 3/4" Rabbet	1 3/8" x 1 7/16"	34	WM445	RM445	2343	Colonial Casing	5/8" x 3 1/2"	36
WM164	RM164	2450	Base Cap	1 1/16" x 1 1/8"	32	WM523	RM523	2369	RB3 Casing	1" x 3 1/2"	36
WM180	RM180	2448	Brick Mould	1 1/4" x 2"	20,22	WM623	RM623	7527	Base RM 623	7/16" x 3 1/4"	38
WM187	RM187	2791	2" Drip Cap 1	1 1/16" x 2"	34	LWM623	LRM623	5523	Colonial Base	7/16" x 3 1/4"	38
WM197	RM197	2449	1 5/8" Drip Cap	1 1/16" x 1 5/8"	34	WM947	RM947	7788	Colonial Stop	3/8" x 1 1/4"	32

"RM" designation identical or similar to WM® Series Patterns.
Some RM Series non-stocking.

Royal® Building Products exists for one reason: to push the limits of what every type of exterior can be. We strive for best-in-class manufacturing and industry-leading innovation. What drives us? Every homeowner who demands exteriors that add value, perform impeccably, look amazing and make their lives easier. Our goal is to bring more products, more styles, more technology, more design insight and more sustainable solutions to the attention of everyone who cares about creating the best exterior possible. Build Royal™



CELECT® CELLULAR COMPOSITE SIDING



ROYAL® TRIM & MOULDINGS



ROYAL® VINYL SIDING



HAVEN® INSULATED SIDING



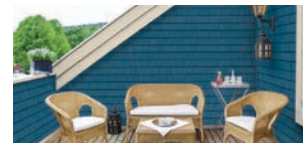
ROYAL® SHUTTERS, MOUNTS & VENTS



ZURI® PREMIUM DECKING



CEDAR RENDITIONS™ ALUMINUM SIDING



PORTSMOUTH™ SHAKE & SHINGLES



For product warranty details, please visit RBPWarranty.com

© 2019 Royal Building Products

RoyalBuildingProducts.com

1.855.ROYAL85